

VERWARMINGSPATRONEN HC

Lichaam in RVS voor toepassingen tot **750°C**

Centerless slijping (rectificatie) voor een perfect passing en optimaal warmteoverdracht.

Dikke bodem plasma gelast.

Nichrome draad bestendig tot 1400°C

Hoge belasting tot **50W/cm²**

Onze raad: Check de passing na. Boring à H7
Maakt gebruik van onze contact pasta

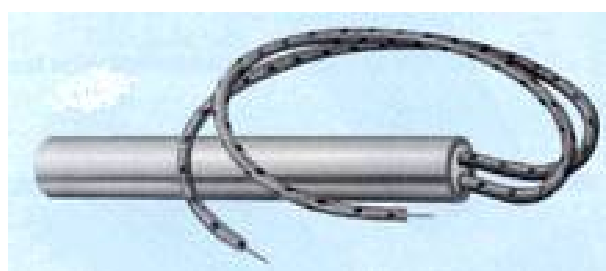
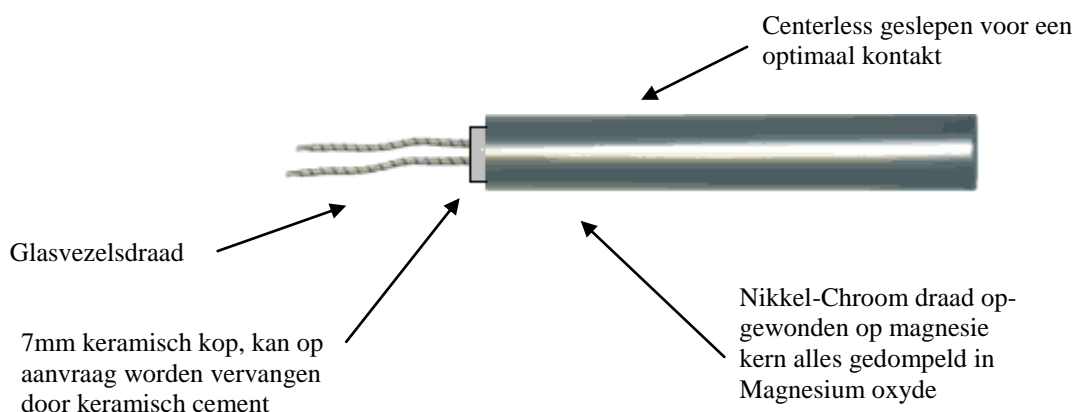
Standaard = Rechte uitgang met 250mm draad lengte

Een lijst van opties is voorgesteld op blz 34. Zij is niet beperkt.

Aarzel niet om ons teraadplegen voor meer in formaties.



SAMENSTELLING VAN EEN VERWARMINGSPATROON





VERWARMINGS PATRONEN STANDAARD

Afwijking op lengtes: L < 100 mm: +/- 2mm L >= 100 mm: +/- 2%
Standaard draadlengtes: 250 mm
Spanning : 220 V mono

D	L	Watt	Code zonder TC J	regelmatige stock	Code met TC J	regelmatige stock
6,5	40	100	C6x40 x100		C6x40 x100J	
		125	C6x40 x125		C6x40 x125J	
		160	C6x40 x160		C6x40 x160J	
		200	C6x40 x200		C6x40 x200J	
	50	100	C6x50 x100		C6x50 x100J	
		160	C6x50 x160		C6x50 x160J	
		200	C6x50 x200		C6x50 x200J	
		250	C6x50 x250		C6x50 x250J	
	60	125	C6x60 x125		C6x60 x125J	
		200	C6x60 x200		C6x60 x200J	
		250	C6x60 x250		C6x60 x250J	
		315	C6x60 x315		C6x60 x315J	
	80	125	C6x80 x125		C6x80 x125J	
		180	C6x80 x180		C6x80 x180J	
		200	C6x80 x200		C6x80 x200J	
		250	C6x80 x250		C6x80 x250J	
		300	C6x80 x300		C6x80 x300J	
		350	C6x80 x350		C6x80 x350J	
	100	160	C6x100 x160		C6x100 x160J	
		220	C6x100 x220		C6x100 x220J	
		250	C6x100 x250		C6x100 x250J	
		350	C6x100 x350		C6x100 x350J	
		400	C6x100 x400		C6x100 x400J	
	130	250	C6x130 x250		C6x130 x250J	
		400	C6x130 x400		C6x130 x400J	
8	40	100	C8x40 x100		C8x40 x100J	
		160	C8x40 x160		C8x40 x160J	
		200	C8x40 x200		C8x40 x200J	
		250	C8x40 x250		C8x40 x250J	
	50	125	C8x50 x125		C8x50 x125J	
		200	C8x50 x200		C8x50 x200J	
		250	C8x50 x250		C8x50 x250J	
		315	C8x50 x315		C8x50 x315J	
	60	100	C8x60 x100		C8x60 x100J	
		150	C8x60 x150		C8x60 x150J	
		250	C8x60 x250		C8x60 x250J	
		280	C8x60 x280		C8x60 x280J	
		350	C8x60 x350		C8x60 x350J	
		400	C8x60 x400		C8x60 x400J	



VERWARMINGS PATRONEN STANDAARD

<u>Afwijking op lengtes:</u>	L < 100 mm: +/- 2mm	L >= 100 mm: +/-2%
<u>Standaard draadlengtes:</u>	250 mm	
<u>Spanning :</u>	220 V mono	

Diam	Long	Watt	Code sans TC J	Habituelle-ment en stock	Code avec TC J	Habituelle-ment en stock
8	80	160	C8x80 x160		C8x80 x160J	
		200	C8x80 x200		C8x80 x200J	
		250	C8x80 x250		C8x80 x250J	
		315	C8x80 x315		C8x80 x315J	
		400	C8x80 x400		C8x80 x400J	
	100	180	C8x100 x180		C8x100 x180J	
		250	C8x100 x250		C8x100 x250J	
		280	C8x100 x280		C8x100 x280J	
		400	C8x100 x400		C8x100 x400J	
		600	C8x100 x600		C8x100 x600J	
	130	250	C8x130 x250		C8x130 x250J	
		400	C8x130 x400		C8x130 x400J	
	160	250	C8x160 x250		C8x160 x250J	
		400	C8x160 x400		C8x160 x400J	
,						
10	40	100	C10x40 x100		C10x40 x100J	
		125	C10x40 x125		C10x40 x125J	
		200	C10x40 x200		C10x40 x200J	
		250	C10x40 x250		C10x40 x250J	
		315	C10x40 x315		C10x40 x315J	
	50	100	C10x50 x100		C10x50 x100J	
		160	C10x50 x160		C10x50 x160J	
		250	C10x50 x250		C10x50 x250J	
		315	C10x50 x315		C10x50 x315J	
		400	C10x50 x400		C10x50 x400J	
	60	125	C10x60 x125		C10x60 x125J	
		180	C10x60 x180		C10x60 x180J	
		250	C10x60 x250		C10x60 x250J	
		315	C10x60 x315		C10x60 x315J	
		400	C10x60 x400		C10x60 x400J	
	80	500	C10x60 x500		C10x60 x500J	
		160	C10x80 x160		C10x80 x160J	
		250	C10x80 x250		C10x80 x250J	
		300	C10x80 x300		C10x80 x300J	
		400	C10x80 x400		C10x80 x400J	
	100	500	C10x80 x500		C10x80 x500J	
		630	C10x80 x630		C10x80 x630J	
		220	C10x100 x220		C10x100 x220J	
		350	C10x100 x350		C10x100 x350J	
		560	C10x100 x560		C10x100 x560J	
700	C10x100 x700		C10x100 x700J			



VERWARMINGS PATRONEN STANDAARD

Afwijking op lengtes: L < 100 mm: +/- 2mm L >= 100 mm: +/- 2%

Standaard draadlengtes: 250 mm

Spanning : 220 V mono

D	L	Watt	Code zonder TC J	regelmatige stock	Code met TC J	regelmatige stock
10	130	315	C10x130 x315		C10x130 x315J	
		500	C10x130 x500		C10x130 x500J	
		630	C10x130 x630		C10x130 x630J	
		700	C10x130 x700		C10x130 x700J	
		800	C10x130 x800		C10x130 x800J	
	160	400	C10x160 x400		C10x160 x400J	
		630	C10x160 x630		C10x160 x630J	
	200	500	C10x200 x500		C10x200 x500J	
		1000	C10x200 x1000		C10x200 x1000J	
12,5	40	100	C12x40 x100		C12x40 x100J	
		160	C12x40 x160		C12x40 x160J	
		250	C12x40 x250		C12x40 x250J	
		315	C12x40 x315		C12x40 x315J	
		400	C12x40 x400		C12x40 x400J	
	50	100	C12x50 x100		C12x50 x100J	
		200	C12x50 x200		C12x50 x200J	
		315	C12x50 x315		C12x50 x315J	
		400	C12x50 x400		C12x50 x400J	
		500	C12x50 x500		C12x50 x500J	
	60	125	C12x60 x125		C12x60 x125J	
		200	C12x60 x200		C12x60 x200J	
		315	C12x60 x315		C12x60 x315J	
		400	C12x60 x400		C12x60 x400J	
		500	C12x60 x500		C12x60 x500J	
	80	200	C12x80 x200		C12x80 x200J	
		315	C12x80 x315		C12x80 x315J	
		400	C12x80 x400		C12x80 x400J	
		500	C12x80 x500		C12x80 x500J	
		630	C12x80 x630		C12x80 x630J	
		800	C12x80 x800		C12x80 x800J	
	100	250	C12x100 x250		C12x100 x250J	
		400	C12x100 x400		C12x100 x400J	
		630	C12x100 x630		C12x100 x630J	
		800	C12x100 x800		C12x100 x800J	
		1000	C12x100 x1000		C12x100 x1000J	
	130	400	C12x130 x400		C12x130 x400J	
		500	C12x130 x500		C12x130 x500J	
		630	C12x130 x630		C12x130 x630J	
		800	C12x130 x800		C12x130 x800J	
		1000	C12x130 x1000		C12x130 x1000J	
		1250	C12x130 x1250		C12x130 x1250J	



VERWARMINGS PATRONEN STANDAARD

Afwijking op lengtes: L < 100 mm: +/- 2mm L >= 100 mm: +/- 2%

Standaard draadlengtes: 250 mm

Spanning : 220 V mono

D	L	Watt	Code zonder TC J	regelmatige stock	Code met TC J	regelmatige stock
12,5	160	500	C12x160 x500		C12x160 x500J	
		800	C12x160 x800		C12x160 x800J	
		1250	C12x160 x1250		C12x160 x1250J	
	180	1000	C12x180 x1000		C12x180 x1000J	
	200	500	C12x200 x500		C12x200 x500J	
		630	C12x200 x630		C12x200 x630J	
		800	C12x200 x800		C12x200 x800J	
		900	C12x200 x900		C12x200 x900J	
		1000	C12x200 x1000		C12x200 x1000J	
		1500	C12x200 x1500		C12x200 x1500J	
	250	800	C12x250 x800		C12x250 x800J	
		1000	C12x250 x1000		C12x250 x1000J	
		1250	C12x250 x1250		C12x250 x1250J	
		1500	C12x250 x1500		C12x250 x1500J	
	300	1500	C12.5x300 x1500		C12.5x300 x1500J	
16	40	100	C16x40 x100		C16x40 x100J	
		250	C16x40 x250		C16x40 x250J	
		315	C16x40 x315		C16x40 x315J	
		400	C16x40 x400		C16x40 x400J	
	50	160	C16x50 x160		C16x50 x160J	
		250	C16x50 x250		C16x50 x250J	
		400	C16x50 x400		C16x50 x400J	
		500	C16x50 x500		C16x50 x500J	
		630	C16x50 x630		C16x50 x630J	
	60	280	C16x60 x280		C16x60 x280J	
		400	C16x60 x400		C16x60 x400J	
		500	C16x60 x500		C16x60 x500J	
		630	C16x60 x630		C16x60 x630J	
		800	C16x60 x800		C16x60 x800J	
		1000	C16x60 x1000		C16x60 x1000J	
	80	400	C16x80 x400		C16x80 x400J	
		500	C16x80 x500		C16x80 x500J	
		630	C16x80 x630		C16x80 x630J	
		800	C16x80 x800		C16x80 x800J	
		1000	C16x80 x1000		C16x80 x1000J	
	100	350	C16x100 x350		C16x100 x350J	
		500	C16x100 x500		C16x100 x500J	
		800	C16x100 x800		C16x100 x800J	
		1000	C16x100 x1000		C16x100 x1000J	
		1250	C16x100 x1250		C16x100 x1250J	



VERWARMINGS PATRONEN STANDAARD

Afwijking op lengtes: L < 100 mm: +/- 2mm L >= 100 mm: +/- 2%

Standaard draadlengtes: 250 mm

Spanning : 220 V mono

D	L	Watt	Code zonder TC J	regelmatige stock	Code met TC J	regelmatige stock
16	130	500	C16x130 x500		C16x130 x500J	
		700	C16x130 x700		C16x130 x700J	
		1100	C16x130 x1100		C16x130 x1100J	
		1400	C16x130 x1400		C16x130 x1400J	
		1800	C16x130 x1800		C16x130 x1800J	
	160	630	C16x160 x630		C16x160 x630J	
		800	C16x160 x800		C16x160 x800J	
		1000	C16x160 x1000		C16x160 x1000J	
		1600	C16x160 x1600		C16x160 x1600J	
		1800	C16x160 x1800		C16x160 x1800J	
	200	800	C16x200 x800		C16x200 x800J	
		1000	C16x200 x1000		C16x200 x1000J	
		1250	C16x200 x1250		C16x200 x1250J	
		2000	C16x200 x2000		C16x200 x2000J	
	250	1000	C16x250 x1000		C16x250 x1000J	
		1600	C16x250 x1600		C16x250 x1600J	
	300	1250	C16x300 x1250		C16x300 x1250J	
		1500	C16x300 x1500		C16x300 x1500J	
		1800	C16x300 x1800		C16x300 x1800J	
20	60	200	C20x60 x200		C20x60 x200J	
		500	C20x60 x500		C20x60 x500J	
		630	C20x60 x630		C20x60 x630J	
		800	C20x60 x800		C20x60 x800J	
	80	350	C20x80 x350		C20x80 x350J	
		500	C20x80 x500		C20x80 x500J	
		800	C20x80 x800		C20x80 x800J	
		1000	C20x80 x1000		C20x80 x1000J	
		1250	C20x80 x1250		C20x80 x1250J	
	100	630	C20x100 x630		C20x100 x630J	
		1000	C20x100 x1000		C20x100 x1000J	
		1400	C20x100 x1400		C20x100 x1400J	
		1600	C20x100 x1600		C20x100 x1600J	
20	130	630	C20x130 x630		C20x130 x630J	
		900	C20x130 x900		C20x130 x900J	
		1800	C20x130 x1800		C20x130 x1800J	
		2200	C20x130 x2200		C20x130 x2200J	
	250	1250	C20x250x1250		C20x250 x1250J	
		2000	C20x250 x2000		C20x250 x2000J	
	300	1600	C20x300 x1600		C20x300 x1600J	
		2200	C20x300 x2200		C20x300 x2200J	



VERWARMINGS PATRONEN STANDAARD

Afwijking op lengtes: L < 100 mm: +/- 2mm L >= 100 mm: +/- 2%
Standaard draadlengtes: 250 mm
Spanning : 220 V mono

D	L	Watt	Code zonder TC J	regelmatige stock	Code met TC J	regelmatige stock
1/4" (6.35)	1.1/4" (31.7)	100	C1/4x1 1/4 x100		C1/4x1 1/4 x100J	
		175	C1/4x1 1/4 x175		C1/4x1 1/4 x175J	
	1.1/2" (38.1)	100	C1/4x1 1/2 x100		C1/4x1 1/2 x100J	
		125	C1/4x1 1/2 x125		C1/4x1 1/2 x125J	
		175	C1/4x1 1/2 x175		C1/4x1 1/2 x175J	
		200	C1/4x1 1/2 x200		C1/4x1 1/2 x200J	
	2" (50.8)	100	C1/4x2 x100		C1/4x2 x100J	
		160	C1/4x2 x160		C1/4x2 x160J	
		200	C1/4x2 x200		C1/4x2 x200J	
		250	C1/4x2 x250		C1/4x2 x250J	
		300	C1/4x2 x300		C1/4x2 x300J	
	2.1/2" (63.5)	125	C1/4x2 1/2 x125		C1/4x2 1/2 x125J	
		200	C1/4x2 1/2 x200		C1/4x2 1/2 x200J	
		250	C1/4x2 1/2 x250		C1/4x2 1/2 x250J	
		315	C1/4x2 1/2 x315		C1/4x2 1/2 x315J	
	3" (76.2)	125	C1/4x3 x125		C1/4x3 x125J	
		280	C1/4x3 x280		C1/4x3 x280J	
		400	C1/4x3 x400		C1/4x3 x400J	
	3.1/2" (88.9)	125	C1/4x3 1/2 x125		C1/4x3 1/2 x125J	
		180	C1/4x3 1/2 x180		C1/4x3 1/2 x180J	
		280	C1/4x3 1/2 x280		C1/4x3 1/2 x280J	
		350	C1/4x3 1/2 x350		C1/4x3 1/2 x350J	
		400	C1/4x3 1/2 x400		C1/4x3 1/2 x400J	
	4" (101.6)	160	C1/4x4 x160		C1/4x4 x160J	
		220	C1/4x4 x220		C1/4x4 x220J	
		350	C1/4x4 x350		C1/4x4 x350J	
	5" (127)	200	C1/4x5 x200		C1/4x5 x200J	
		300	C1/4x5 x300		C1/4x5 x300J	
		400	C1/4x5 x400		C1/4x5 x400J	
	6" (152.4)	400	C1/4x6 x400		C1/4x6 x400J	
		500	C1/4x6 x500		C1/4x6 x500J	
3/8" (9.52)	1.1/4" (31.75)	75	C3/8x1 1/4 x75		C3/8x1 1/4 x75J	
		200	C3/8x1 1/4 x200		C3/8x1 1/4 x200J	
	1.1/2" (38.1)	100	C3/8x1 1/2 x100		C3/8x1 1/2 x100J	
		160	C3/8x1 1/2 x160		C3/8x1 1/2 x160J	
		200	C3/8x1 1/2 x200		C3/8x1 1/2 x200J	
		250	C3/8x1 1/2 x250		C3/8x1 1/2 x250J	



VERWARMINGS PATRONEN STANDAARD

<u>Afwijking op lengtes:</u>	L < 100 mm: +/- 2mm	L >= 100 mm: +/-2%
<u>Standaard draadlengtes:</u>	250 mm	
<u>Spanning :</u>	220 V mono	

D	L	Watt	Code zonder TC J	regelmatige stock	Code met TC J	regelmatige stock
3/8" (9.52)	2" (50.8)	100	C3/8x2 x100		C3/8x2 x100J	
		160	C3/8x2 x160		C3/8x2 x160J	
		250	C3/8x2 x250		C3/8x2 x250J	
		315	C3/8x2 x315		C3/8x2 x315J	
		400	C3/8x2 x400		C3/8x2 x400J	
	2 1/2" (63.5)	125	C3/8x2 1/2 x125		C3/8x2 1/2 x125J	
		180	C3/8x2 1/2 x180		C3/8x2 1/2 x180J	
		315	C3/8x2 1/2 x315		C3/8x2 1/2 x315J	
		400	C3/8x2 1/2 x400		C3/8x2 1/2 x400J	
		500	C3/8x2 1/2 x500		C3/8x2 1/2 x500J	
	3" (76.2)	200	C3/8x3 x200		C3/8x3 x200J	
		300	C3/8x3 x300		C3/8x3 x300J	
		400	C3/8x3 x400		C3/8x3 x400J	
		600	C3/8x3 x600		C3/8x3 x600J	
	3 1/2" (88.9)	400	C3/8x3 1/2 x400		C3/8x3 1/2 x400J	
	4" (101.6)	220	C3/8x4 x220		C3/8x4 x220J	
		350	C3/8x4 x350		C3/8x4 x350J	
		560	C3/8x4 x560		C3/8x4 x560J	
		700	C3/8x4 x700		C3/8x4 x700J	
		850	C3/8x4 x850		C3/8x4 x850J	
	5" (127)	300	C3/8x5 x300		C3/8x5 x300J	
		400	C3/8x5 x400		C3/8x5 x400J	
		500	C3/8x5 x500		C3/8x5 x500J	
		800	C3/8x5 x800		C3/8x5 x800J	
	6" (152.4)	400	C3/8x6 x400		C3/8x6 x400J	
		500	C3/8x6 x500		C3/8x6 x500J	
		800	C3/8x6 x800		C3/8x6 x800J	
		1000	C3/8x6 x1000		C3/8x6 x1000J	
	7" (177.8)	500	C3/8x7 x500		C3/8x7 x500J	
		1000	C3/8x7 x1000		C3/8x7 x1000J	
	8" (203.2)	500	C3/8x8 x500		C3/8x8 x500J	
		600	C3/8x8 x600		C3/8x8 x600J	
		1000	C3/8x8x 1000		C3/8x8x 1000J	



VERWARMINGS PATRONEN STANDAARD

Afwijking op lengtes: L < 100 mm: +/- 2mm L >= 100 mm: +/- 2%

Standaard draadlengtes: 250 mm

Spanning : 220 V mono

D	L	Watt	Code zonder TC J	regelmatige stock	Code met TC J	regelmatige stock
1/2" (12.7)	1 1/2" (38.1)	100	C1/2x1 1/2 x100		C1/2x1 1/2 x100J	
		160	C1/2x1 1/2 x160		C1/2x1 1/2 x160J	
		250	C1/2x1 1/2 x250		C1/2x1 1/2 x250J	
		315	C1/2x1 1/2 x315		C1/2x1 1/2 x315J	
		400	C1/2x1 1/2 x400		C1/2x1 1/2 x400J	
	2" (50.8)	100	C1/2x2 x100		C1/2x2 x100J	
		200	C1/2x2 x200		C1/2x2 x200J	
		315	C1/2x2 x315		C1/2x2 x315J	
		400	C1/2x2 x400		C1/2x2 x400J	
		500	C1/2x2 x500		C1/2x2 x500J	
	2 1/2" (63.5)	125	C1/2x2 1/2 x125		C1/2x2 1/2 x125J	
		200	C1/2x2 1/2 x200		C1/2x2 1/2 x200J	
		315	C1/2x2 1/2 x315		C1/2x2 1/2 x315J	
		400	C1/2x2 1/2 x400		C1/2x2 1/2 x400J	
		500	C1/2x2 1/2 x500		C1/2x2 1/2 x500J	
	3" (76.2)	400	C1/2x3 x400		C1/2x3 x400J	
		600	C1/2x3 x600		C1/2x3 x600J	
	4" (101.6)	250	C1/2x4 x250		C1/2x4 x250J	
		400	C1/2x4 x400		C1/2x4 x400J	
		630	C1/2x4 x630		C1/2x4 x630J	
		800	C1/2x4 x800		C1/2x4 x800J	
		1000	C1/2x4 x1000		C1/2x4 x1000J	
	5 1/4" (133,35)	400	C1/2x5 1/4 x400		C1/2x5 1/4 x400J	
		630	C1/2x5 1/4 x630		C1/2x5 1/4 x630J	
		1000	C1/2x5 1/4 x1000		C1/2x5 1/4 x1000J	
		1250	C1/2x5 1/4 x1250		C1/2x5 1/4 x1J250J	
	6" (152.4)	500	C1/2x6 x500		C1/2x6 x500J	
		800	C1/2x6 x800		C1/2x6 x800J	
		1000	C1/2x6 x1000		C1/2x6 x1000J	
	7" (177.8)	500	C1/2x7 x500		C1/2x7 x500J	
		1000	C1/2x7 x1000		C1/2x7 x1000J	
	8" (203.2)	630	C1/2x8x630		C1/2x8x630J	
		800	C1/2x8x800		C1/2x8x800J	
		900	C1/2x8x900		C1/2x8x900J	
		1500	C1/2x8x1500		C1/2x8x1500J	
	9" (228.6)	1000	C1/2x9x1000		C1/2x9x1000J	
		1500	C1/2x9x1500		C1/2x9x1500J	
	10" (254)	1000	C1/2x10x1000		C1/2x10x1000J	
		1500	C1/2x10x1500		C1/2x10x1500J	
		2000	C1/2x10x2000		C1/2x10x2000J	



VERWARMINGS PATRONEN STANDAARD

Afwijking op lengtes: L < 100 mm: +/- 2mm L >= 100 mm: +/- 2%

Standaard draadlengtes: 250 mm

Spanning : 220 V mono

D	L	Watt	Code zonder TC J	regelmatige stock	Code met TC J	regelmatige stock
1/2" (12.7)	12" (304.8)	1000	C1/2x12 x1000		C1/2x12 x1000J	
		1500	C1/2x12 x1500		C1/2x12 x1500J	
		2000	C1/2x12 x2000		C1/2x12 x2000J	
5/8" (15.87)	1½" (38,1)	100	C5/8x1½ x100		C5/8x1½ x100J	
		250	C5/8x1½ x250		C5/8x1½ x250J	
		315	C5/8x1½ x315		C5/8x1½ x315J	
		400	C5/8x1½ x400		C5/8x1½ x400J	
	2" (50.8)	160	C5/8x2 x160		C5/8x2 x160J	
		250	C5/8x2 x250		C5/8x2 x250J	
		400	C5/8x2 x400		C5/8x2 x400J	
		500	C5/8x2 x500		C5/8x2 x500J	
		630	C5/8x2 x630		C5/8x2 x630J	
	2½" (63,5)	160	C5/8x2½ x160		C5/8x2½ x160J	
		250	C5/8x2½ x250		C5/8x2½ x250J	
		400	C5/8x2½ x400		C5/8x2½ x400J	
		500	C5/8x2½ x500		C5/8x2½ x500J	
		630	C5/8x2½ x630		C5/8x2½ x630J	
	¾" (82.55)	280	C5/8x¾ x280		C5/8x¾ x280J	
		400	C5/8x¾ x400		C5/8x¾ x400J	
		630	C5/8x¾ x630		C5/8x¾ x630J	
		800	C5/8x¾ x800		C5/8x¾ x800J	
		1000	C5/8x¾ x1000		C5/8x¾ x1000J	
	4" (101.6)	350	C5/8x4 x350		C5/8x4 x350J	
		500	C5/8x4 x500		C5/8x4 x500J	
		800	C5/8x4 x800		C5/8x4 x800J	
		1000	C5/8x4 x1000		C5/8x4 x1000J	
		1250	C5/8x4 x1250		C5/8x4 x1250J	
	5¼" (133,35)	500	C5/8x5¼ x500		C5/8x5¼ x500J	
		700	C5/8x5¼ x700		C5/8x5¼ x700J	
		1100	C5/8x5¼ x1100		C5/8x5¼ x1100J	
		1400	C5/8x5¼ x1400		C5/8x5¼ x1400J	
		1800	C5/8x5¼ x1800		C5/8x5¼ x1800J	
	6½" (165.1)	900	C5/8x6 x900		C5/8x6 x900J	
		1600	C5/8x6 x1600		C5/8x6 x1600J	
		1800	C5/8x6 x1800		C5/8x6 x1800J	
	7" (177.8)	1000	C5/8x7 x1000		C5/8x7 x1000J	
		1500	C5/8x7 x1500		C5/8x7 x1500J	
	8" (203.2)	800	C5/8x8 x800		C5/8x8 x800J	
		1250	C5/8x8 x1250		C5/8x8 x1250J	
		2000	C5/8x8 x2000		C5/8x8 x2000J	



VERWARMINGS PATRONEN STANDAARD

<u>Afwijking op lengtes:</u>	L < 100 mm: +/- 2mm	L >= 100 mm: +/-2%
<u>Standaard draadlengtes:</u>	250 mm	
<u>Spanning :</u>	220 V mono	

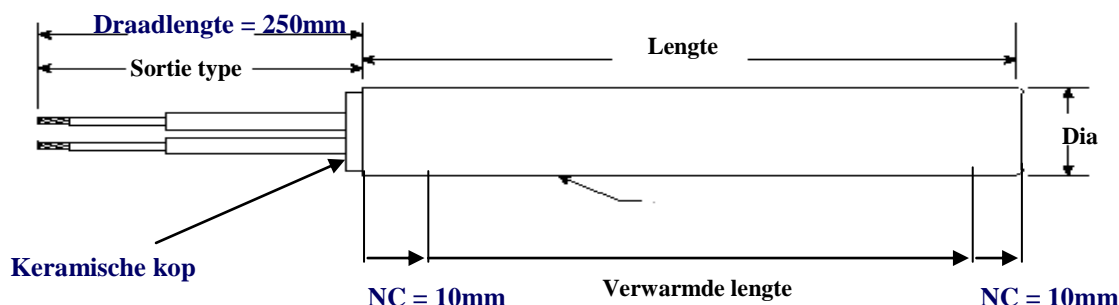
D	L	Watt	Code zonder TC J	regelmatige stock	Code met TC J	regelmatige stock
5/8" (15.87)	10" (254)	1000	C5/8x10 x1000		C5/8x10 x1000J	
		1600	C5/8x10 x1600		C5/8x10 x1600J	
	12" (304.8)	1250	C5/8x12 x1250		C5/8x12 x1250J	
		1800	C5/8x12 x1800		C5/8x12 x1800J	
3/4" (19.05)	10" (254)	1000	C3/4x10 x1000		C3/4x10 x1000J	

**Deze lijst is niet belapend voor alle beschikbare lengtes en wattages,
Aarzel niet om ons te contacteren voor andere opties.**

Speciale verwezenlijking mogelijk op aanvraag met verschillende zones van verwarming van lengtes en verschillende wattages.

VERWARMINGS PATRONEN STANDAARD

Aanvraag / bestelling



Gelieve volgende informatie te geven:

Firma: _____ Tél: _____ Fax: _____

Contact: _____ Service: _____ Datum: _____

E-Mail: _____

Merk en type van machine: _____

1- TOEPASSING :		_____	
2- MAX. WERK T° = _ ____ °C			
3- AFMETING :		4- REFERENTIE :	
Diameter (mm): _____		_____	
Lengte L (mm): _____		_____	
Vermogen (W): _____		5- HOEVEELHEID: _____	
Spanning (V): _____			
6- AANSLUITING:		7- UITGANGSTYPE :	
Type: _____			
Draadbescherming:			
Parels vlecht metaal slang			
8- INGEBOUWDE THERMOKOPPEL:		JA / NEEN	
Type: J K	Plaats: -Eind patroon ongegaard gegaard		
Draadlengte = _____ mm	-Midden patroon ongegaard gegaard		



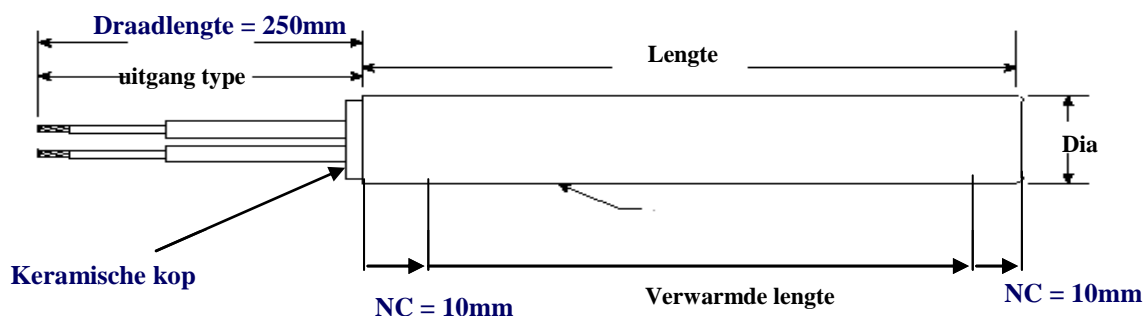
Thermokoppel gegaard



Thermokoppel ongegaard

VERWARMINGS PATRONEN SPECIAAL

Aanvraag / bestelling



Gelieve volgende informatie te geven:

Firma: _____ Tél: _____ Fax: _____

Contact: _____ Service: _____ Datum: _____

E-Mail: _____

Merk en type van machine: _____

1- TOEPASSING:			
2- MAX. WERK T° = _ °C			
3- AFMETING:	4- NIET VERWARMD NC (mm):		
Diametre (mm):	Kant van de aansluiting: _____ mm		
Lengte L (mm):	Eind patroon: _____ mm		
Vermogen (W):	5- HOEVEELHEID:		
Spanning (V):			
6- AANSLUITING:	7- UITGANGSTYPE:		
Type:			
Draadlengte = _____ mm			
Draadbescherming:			
Parels vlecht metaal slang			
INGEBOUWDE THERMOKOPPEL:	JA / NEEN		
Type: J K	Plaats: -Eind patroon ongeaard geaard		
Draadlengte = _____ mm	-Midden patroon ongeaard geaard		



THEMOKOPPEL Non Isolé

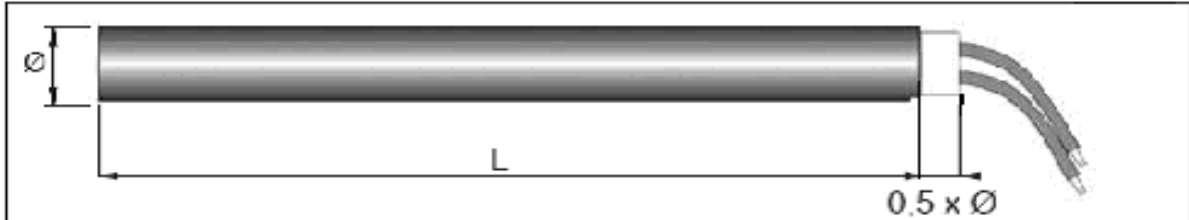


THEMOKOPPEL Isolé

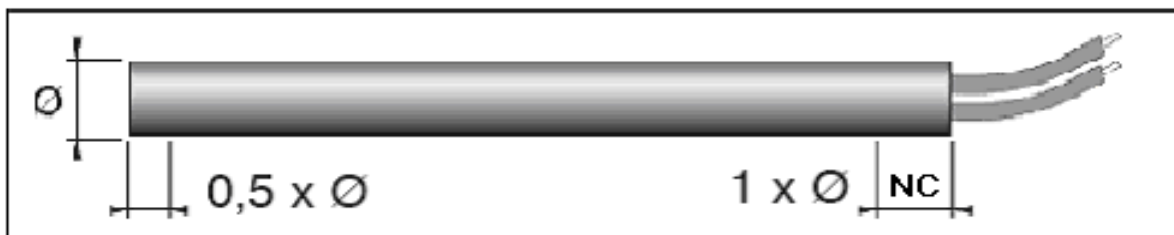


VERWARMINGSPATROON RECHT UITGANGEN

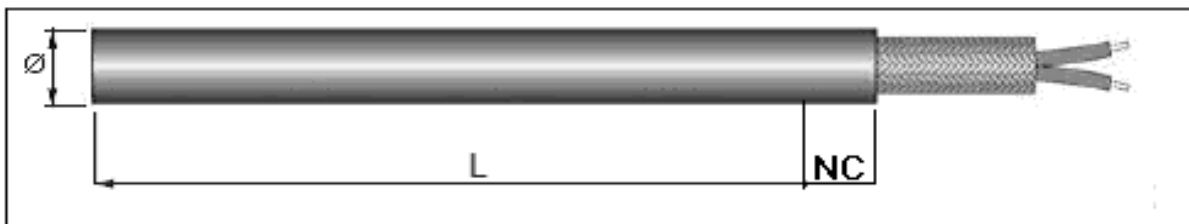
TYPE A Keramische kop



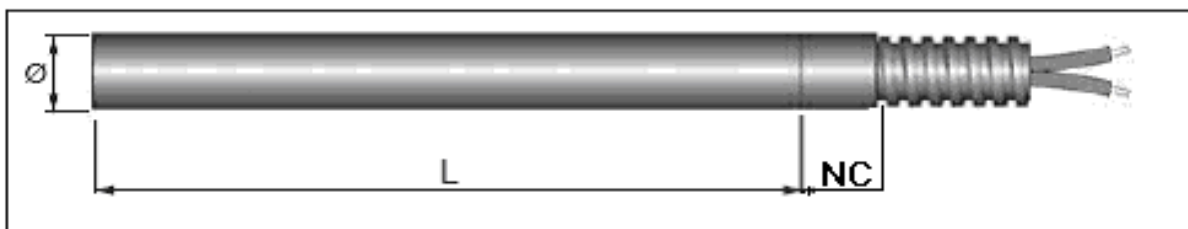
TYPE B Cement



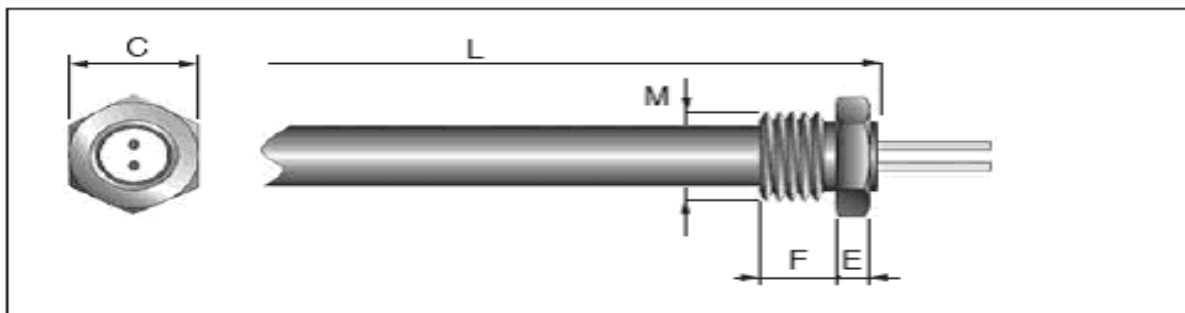
TYPE C Vlecht



TYPE G Metaal slang



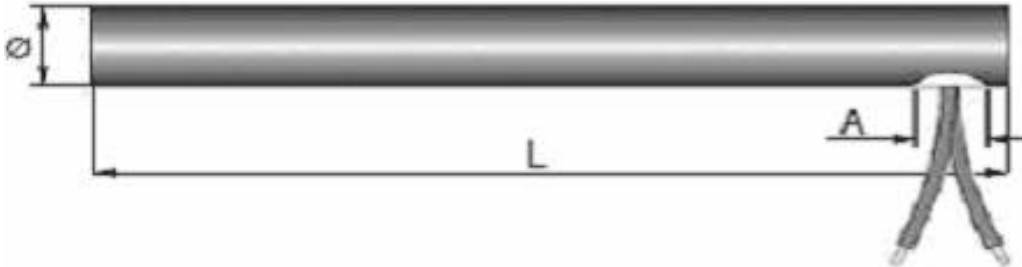
TYPE F Draad



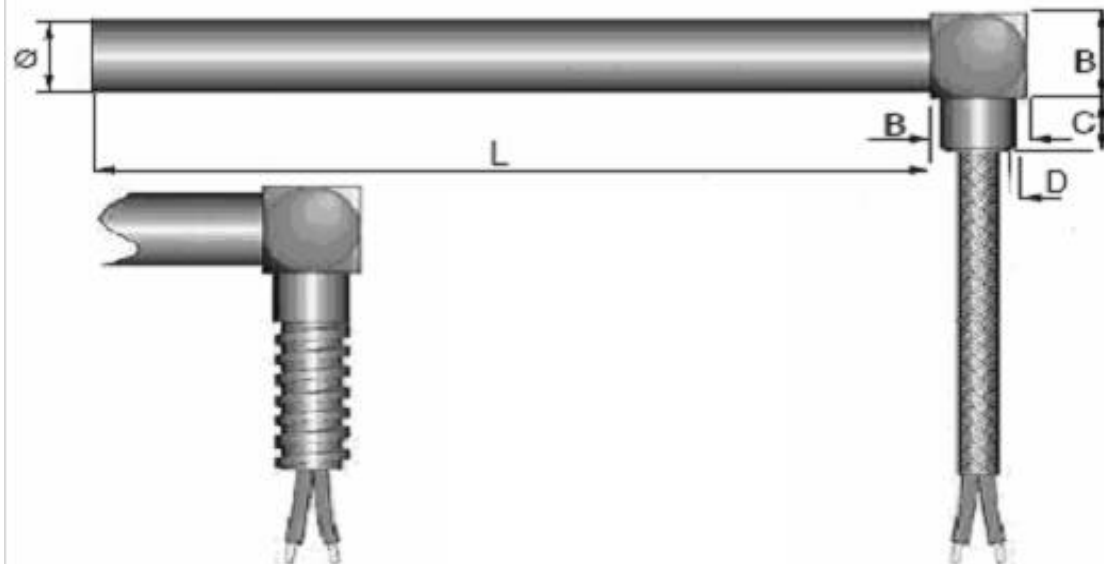


VERWARMINGSPATROON Haakse uitgangen

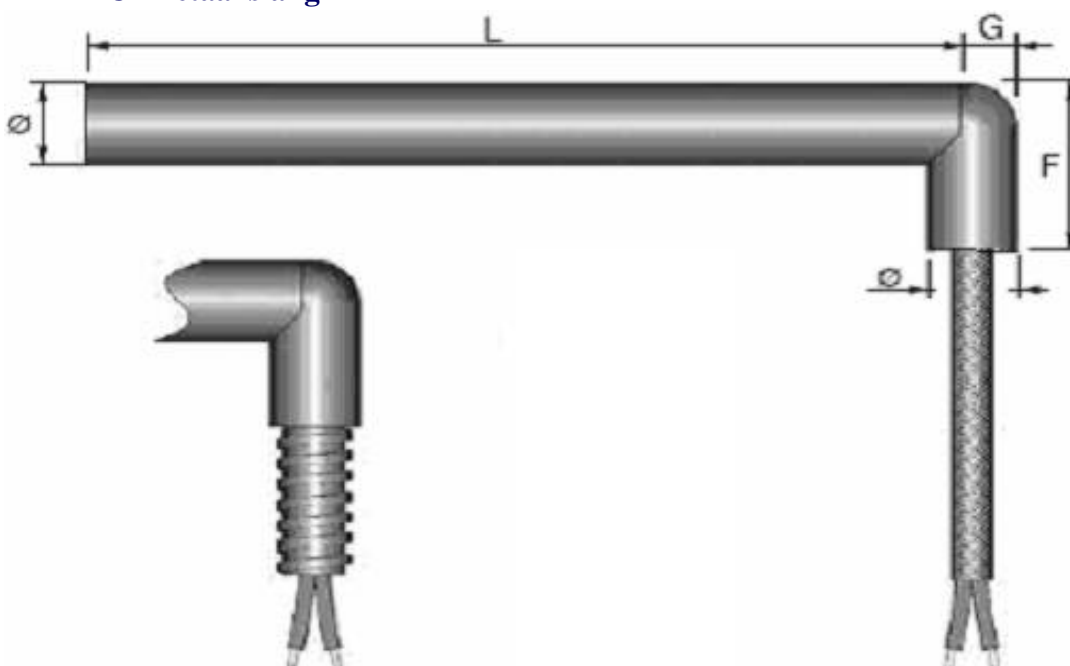
TYPE A Draden



TYPE B Vlecht



TYPE C Metaal slang





VBERWARMINGSPATROON LAAG BELASTING

Nikkel-chrome draad 20/80, gewikkelt en geplaatst in een rvs of messing buis

Geschikt om ingewikkelde metaal blokken op te warmen of waar men weinig plaats heeft, zoals platen, rollen, lasbalken, pons gereedschap, markering gereedschap, matrijzen, gas of vloeistof opwarming, ondooiing enz..

Belasting = de 2 à 6 Watts/cm².

Toepassing 300°C, 350°C MAX

Het is noodzakelijk dat de patronen met maximale speling van 0.3mm zou geplaatst zullen worden in hun boring anders krijg u een oververwarming van de Nichrome-draad binnenin de patroon.



Standard = Recht met 250mm draden , Glaszeide geïsoleerd

Spanning = 230 V mono

Aarzel niet ons te contacteren om uw toepassing uit te leggen en samen een oplossing te vinden

Ons raad : De speling nachecken (spellin minder dan à 0,3mm) en gebruik maken van ons transIJzert pasta (sectie toebehoren blz 20).

Diameter (mm)	9,5	10	12	12,5	12,7	14	14,7	15	16	17	18	19	20	23	25
Aanbevolen vermogen in W/mm (4 W/cm ²)	1,19	1,26	1,51	1,57	1,60	1,76	1,85	1,88	2,01	2,14	2,26	2,39	2,51	2,89	3,14
Vermogen Max (6W/cm ²)	1,79	1,88	2,26	2,35	2,39	2,63	2,77	2,82	3,01	3,20	3,39	3,58	3,76	4,33	4,71

PS: Vergeet de onverwarmde van 10mm lang de draadkant

Lengte op aanvraag: minimum = 50 mm, maximum = 2 000 mm.

Mogelijke uitgangen: Standard draden 250mm, Metaal slang, Haaks 90°, Flens enz.

Opties: Ingebouwde thermokopel type J ou K. Specifieke onverwarmde zones